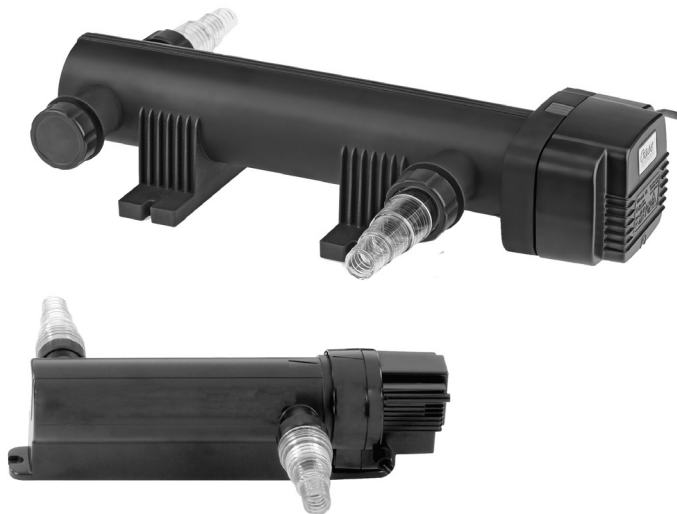




## Vitronic 9 / 18 / 36

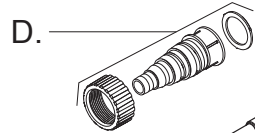
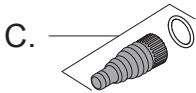
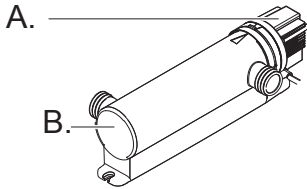
Operating instructions  
Notice d'emploi  
Instrucciones de uso



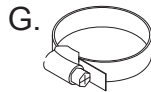
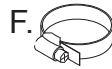
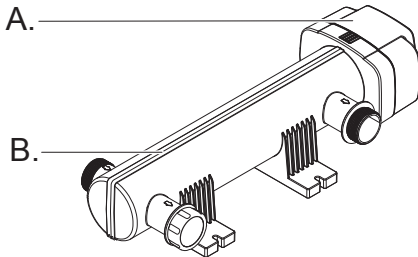
**REMINDER**  
 CALL 1-866-627-3435  
 BEFORE RETURNING TO STORE.

Part	Description	QTY
A	Unit head	1
B	Casing	1
C	Black stepped hose adapter with O ring (Vitronic 9W only)	2
D	Transparent stepped hose adapter with union nut and flat seal (Vitronic 18W / 36W only)	2
E	UVC lamp	1
F	Hose clamp (Vitronic 18W / 36W only)	2
G	Hose clamp (Vitronic 18W / 36W only)	2

Vitronic 9W



Vitronic 18W / 36W







**Information about these operating instructions**

Welcome to OASE Living Water. You made a great choice with the purchase of this product **Vitronic 9W / 18W / 36W**. Prior to operating the unit, please read the instructions of use carefully and fully familiarise yourself with the unit. Ensure that all work on and with this unit is only carried out in accordance with these instructions. Please strictly follow the enclosed instructions to ensure safe and correct handling of the product. Keep these instructions in a safe place. Please also hand over the instructions when passing the unit on to a new owner.

## **WARNINGS AND CAUTIONS SYMBOLS**

### **Symbols used in these instructions**

The symbols used in this operating manual have the following meanings:

-  Risk of injury to persons due to dangerous electrical voltage.  
This symbol indicates an imminent danger, which can lead to death or severe injuries if the appropriate measures are not taken.
  
-  Risk of personal injury caused by a general source of danger.  
This symbol indicates an imminent danger, which can lead to death or severe injuries if the appropriate measures are not taken.
  
-  Important! The unit is equipped with a permanent magnet. The magnetic field may affect the function of pacemakers.
  
-  Important information for trouble-free operation.

### **Intended use**

Vitronic 9W / 18W / 36W, referred to in the following as “unit”, may only be used as specified in the following:

- For cleaning garden ponds.
- For operation with clean water.
- Operation under observance of the technical data.

The following restrictions apply to the unit:

- Do not use in swimming pools.
- Never use the unit to convey fluids other than water.
- Never run the unit without water.
- Never operate the UVC lamp outside the casing or use it for any other purposes. The UVC radiation is harmful to the eyes and skin even in small doses.
- Do not use for commercial or industrial purposes.
- Do not use in conjunction with chemicals, foodstuff, easily flammable or explosive substances.
- Do not connect to the domestic water supply.

### **Use other than that intended**

This unit can be dangerous and cause harm if not used in accordance with these instructions. Any use not in accordance with these instructions or modification(s) to the unit will void the limited warranty.

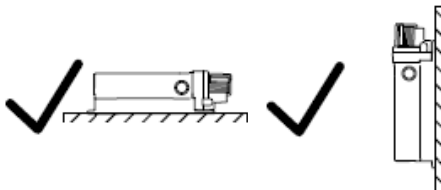
### **Questions, problems, missing parts?**

Before returning to your retailer, call us at 1-866-627-3435, 8 a.m.-6 p.m., EST, Monday-Friday, or email us at [customer-care@oase-livingwater.com](mailto:customer-care@oase-livingwater.com). Or visit our website at [www.oase-livingwater.com](http://www.oase-livingwater.com)

## Installation

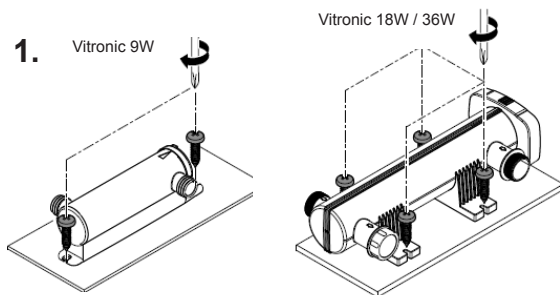
### Important:

- Only install the unit in the permitted positions to ensure fault-free operation.
- Do not lift by its power cord.
- Install the unit at least 6.6 ft (2 m) from the edge of the pond.
- Allow sufficient space for carrying out maintenance work.



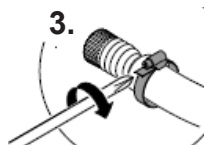
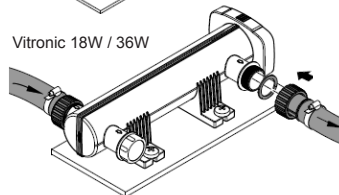
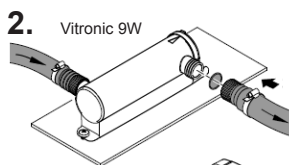
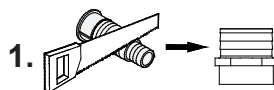
### Mounting the unit - optional

- For the Vitronic 9W, the unit head is removed first. (See P.7 for Removing the unit head)
1. Place the unit on the mounting surface.
    - Carefully tighten all screws.
- After mounting the Vitronic 9W, reconnect the unit head. (See P.7 for Fitting the unit head)



### Connect the unit

- Use hoses that are suitable for a pressure of at least 14.5 psi (1 bar).
1. For maximum water flow, it is recommended that the largest tubing size for your pump is used.
    - If needed, cut the adapter as shown using a hacksaw; consult packaging for tubing size.
  2. Connect the stepped hose adapter with seal to the casing.
    - Connect the inlet and outlet.
    - Hand tighten the stepped hose adapter.
  3. Connect tubing to the adapter. Secure with a hose clamp.
    - In the case of a stepped hose adapter with separate union nut, first push the union nut over the hose.
- NOTE: Tubing is NOT INCLUDED.



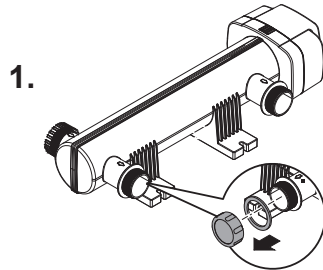
## Installation (cont.)

### Connect the unit to the flow-through filter (Vitronic 18W / 36W only)

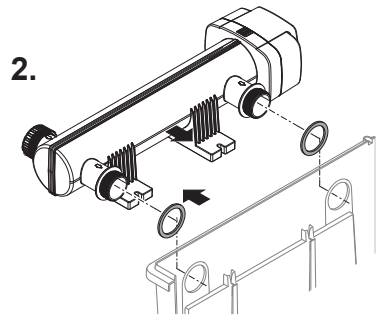
#### Important:

- The unit is suitable for connection to flow-through filters. Both outlet sockets are screwed to the inlet nozzles on the flow-through filter. Adhere to the instructions for use of the flow-through filter.

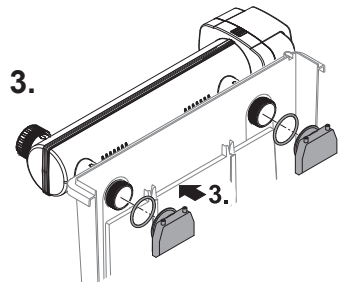
1. Unscrew the cover cap.



2. Guide the outlet sockets with flat seal through both holes in the container wall of the flow-through filter.



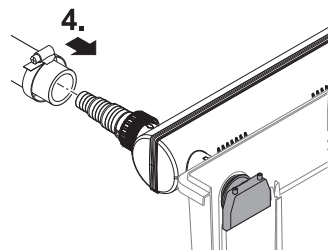
3. Screw the inlet nozzle with O ring onto the outlet socket and hand tighten.



4. Connect tubing to the adapter. Secure with a hose clamp.

- In the case of a stepped hose adapter with separate union nut, first push the union nut over the hose.

NOTE: Tubing is NOT INCLUDED.



#### Questions, problems, missing parts?

Before returning to your retailer, call us at 1-866-627-3435, 8 a.m.-6 p.m., EST, Monday-Friday, or email us at [customer care@oase-livingwater.com](mailto:customer care@oase-livingwater.com). Or visit our website at [www.oase-livingwater.com](http://www.oase-livingwater.com)

## Start-up

**⚠ Attention! Dangerous electrical voltage.**  
**Possible consequences:** Death or serious injuries.

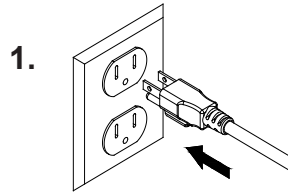
**Protective measures:**

- Electrical units and installations with a rated voltage of  $U > 12 \text{ V AC}$  or  $U > 30 \text{ V DC}$  located in the water: Isolate the units and installations (switch off and disconnect from the power supply) before reaching into the water.
- Isolate the unit before starting any work.
- Secure the unit to prevent unintentional switching on.

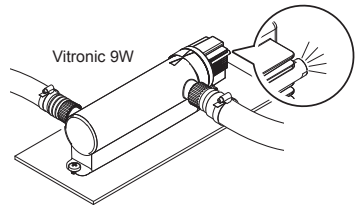
**Important:**

- The unit switches on automatically when power connection is established.
- Switch the pump on first, then switch on the UV clarifying unit.
- Check all connections for leaks.

**1. Switching on:** Connect power plug to the socket.



**2. Switching off:** Disconnect the power plug.

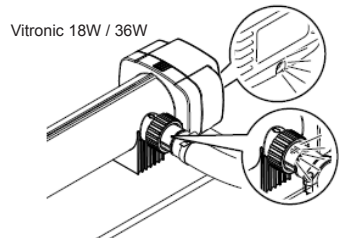


**Check the function (Vitronic 9W)**

- The function display is lit when the UVC lamp is switched on.

**Check the function (Vitronic 18W / 36W)**

- The transparent stepped hose adapters are lit when the UVC lamp is switched on.



## Maintenance and cleaning

**⚠ Attention! Dangerous electrical voltage.**  
**Possible consequences:** Death or serious injuries.

**Protective measures:**

- Electrical units and installations with a rated voltage of  $U > 12 \text{ V AC}$  or  $U > 30 \text{ V DC}$  located in the water: Isolate the units and installations (switch off and disconnect from the power supply) before reaching into the water.
- Isolate the unit before starting any work.
- Secure the unit to prevent unintentional switching on.

**⚠ Attention! Ultra-violet radiation.**  
**Possible consequences:** Eye or skin injury from burns.

**Protective measures:**

- Never operate the UVC lamp outside its housing.
- Never operate the UVC lamp in a housing that is defective.

**⚠ Attention! Breakable glass.**  
**Possible consequences:** Injury to your hands caused by cuts.  
**Protective measures:** Handle the quartz glass and UVC lamp with care.

## Maintenance and cleaning (cont.)

- Do not use aggressive cleaning agents or chemical solutions as they could attack the housing or impair the function of the unit.
- Recommended cleaning agent for removing stubborn limescale deposits: Vinegar and chlorine-free household cleaning agent.
- After cleaning, thoroughly rinse all parts in clean water.

### Removing the unit head

1. Disconnect the pump from the power source.
  - Disconnect the tubing.

#### Vitronic 9W

2. Turn the unit head counter-clockwise up to the stop and carefully pull it out of the casing together with the O ring.
  - Thoroughly clean the inner and outer surfaces of the casing.

#### Vitronic 18W / 36W

2. Press the engagement hooks.
3. Turn the unit head counter-clockwise as far as the stop and carefully pull it out of the casing.
  - Thoroughly clean the inner and outer surfaces of the casing.

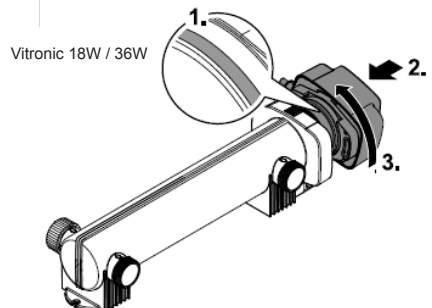
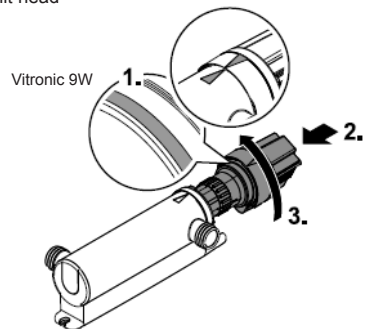
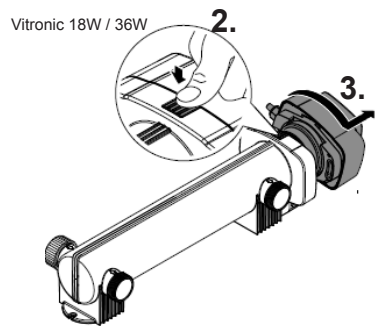
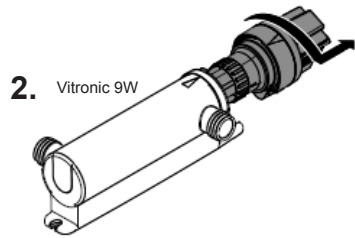


#### Note!

For safety reasons the UVC lamp can only be switched on when the unit head has been correctly fitted into the casing.

### Fitting the unit head

1. Check the O ring at the unit head for correct seating.
  - Clean the O ring, replace if damaged.
2. Carefully push the unit head into the casing up to the stop while applying slight pressure.
  - Turn the unit head slightly so that the tenons and grooves of the bayonet closure intermesh.
3. Turn the unit head clockwise up to the stop.
  - For Vitronic 9W only the two arrows on the casing and unit head must point towards one another.



#### Questions, problems, missing parts?

Before returning to your retailer, call us at 1-866-627-3435, 8 a.m.-6 p.m., EST, Monday-Friday, or email us at [customer-care@oase-livingwater.com](mailto:customer-care@oase-livingwater.com). Or visit our website at [www.oase-livingwater.com](http://www.oase-livingwater.com)

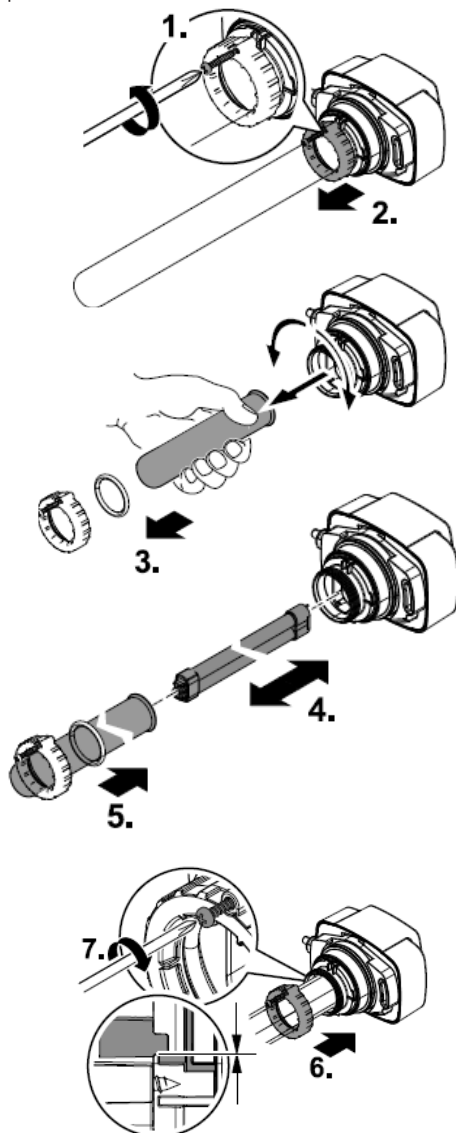
## Maintenance and cleaning (cont.)

### Cleaning the quartz glass / Replacing the UVC lamp

- ⚠ Attention! Breakable glass.**  
**Possible consequences:** Injury to your hands caused by cuts.  
**Protective measures:** Handle the quartz glass and UVC lamp with care.

Replace the UVC lamp after max. 8,000 operating hours (this corresponds to approx. one pond season with continuous operation). This ensures optimum filtering performance.

- Remove unit head. (See P.7 for Removing the unit head)
1. Loosen the self-tapping screw until the the screw tip is sunk in the housing of the clamping screw
    - Thoroughly clean the inner and outer surfaces of the casing.
  2. Unscrew the clamping screw counter-clockwise
  3. Remove the quartz glass including the O ring towards the front with a slight turning movement.
  4. Pull out the UVC lamp and replace.
  5. Push the quartz glass including the O ring as far as the stop in the unit head.
    - Clean the O ring, replace if damaged.
    - Ensure that the O ring is located in the gap between the unit head and the quartz glass.
  6. Tighten the clamping screw clockwise up to the stop.
  7. Tighten the self-tapping screw.
  8. Wipe the quartz glass tube with a damp cloth





### Storage/Winterization

- Put the unit out of operation at water temperatures below 46 °F (8 °C) or, at the latest, when freezing temperatures are to be expected.
- Thoroughly clean the unit, check for damage.
- Store immersed in water or filled with water. Do not immerse the power plug in water!
- Ensure that the storage place is inaccessible to children.

### Wear parts

UVC lamp, quartz glass and O ring for quartz glass are wear parts and are excluded from the warranty.

### Disposal



Do not dispose of this unit with domestic waste! Disable the unit beforehand by cutting off the cables. Further information about the recycling of this product can be obtained from your local municipal authority.

### Troubleshooting

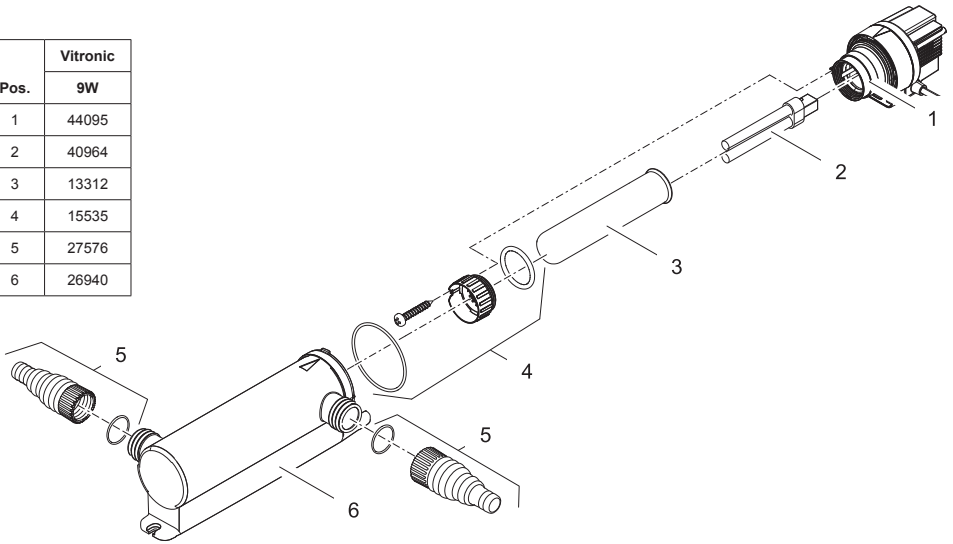
Issue	Cause	Solution
UVC lamp is not lit	Power supply not connected	Connect pump power supply
	UVC lamp defective	Replace the UVC lamp
The performance of the unit is not satisfactory	The water is extremely soiled	Remove algae and leaves from the pond, change the water
	The quartz glass is soiled	Clean the quartz glass
	Flow rate is too high	Reduce the pump output
	The UVC lamp capacity is exhausted	The lamp must be replaced after 8000 operating hours

### Questions, problems, missing parts?

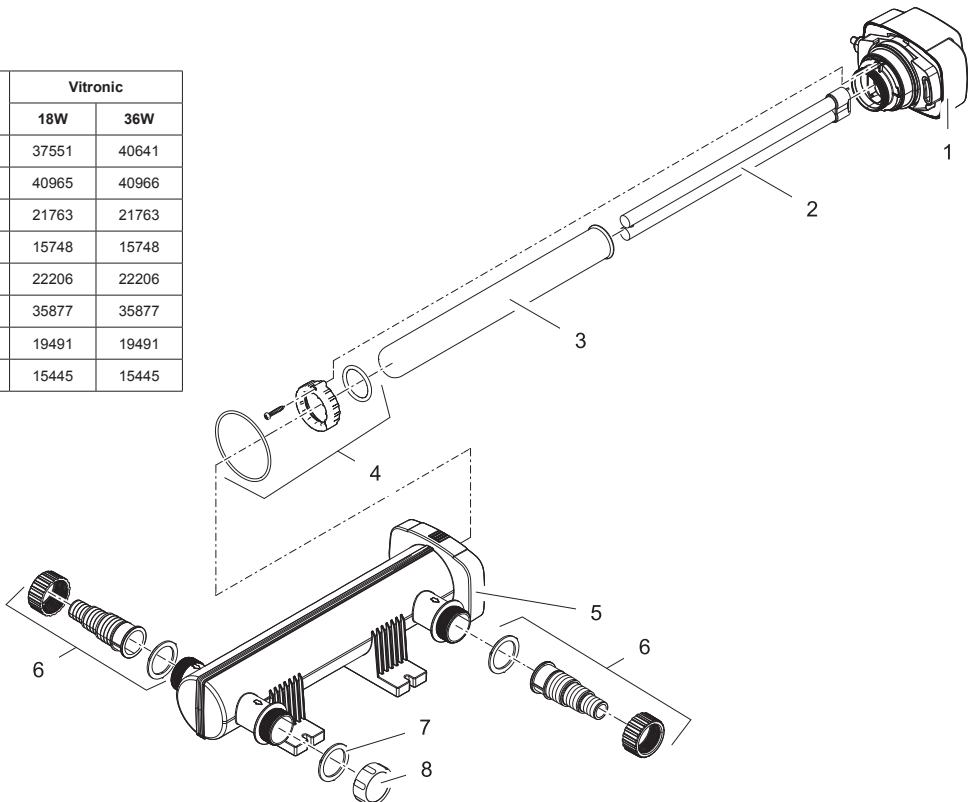
Before returning to your retailer, call us at 1-866-627-3435, 8 a.m.-6 p.m., EST, Monday-Friday, or email us at [customer@oase-livingwater.com](mailto:customer@oase-livingwater.com). Or visit our website at [www.oase-livingwater.com](http://www.oase-livingwater.com)

EN	Model	Model no.	Rated voltage	Power consumption	Dimensions	Operating pressure	Max. flow rate	Water temperature	Power cord length	UVC lamp
FR	Modèle	Numéro de modèle	Tension nominale	Consommation électrique	Dimension	La pression de fonctionnement	Capacité de débit	La température de l'eau	Longueur du cordon	Lampe UVC
SP	Modelo	No. de modelo	Tensión nominal	Consumo eléctrico	Dimensiones	Presión de funcionamiento	Tasa de flujo máxima	La temperatura del agua	Longitud de cable	Lámpara UVC
Vitrionic	9W	45427		14 W	13 x 5 x 4 in. 330 x 120 x 100 mm		500 GPH 1700 LPH		10 ft. 3 m	9 W
	18W	56455	120V / 60 Hz	24 W	21 x 7 x 5 529 x 186 x 130 mm	7.25 psi / 17 ft. of head	925 GPH 3502 LPH	+4 ... +35 °C	16 ft. 5 m	18 W
	36W	40350		45 W			1585 GPH 6000 LPH			36 W

Pos.	Vitronic	
	9W	
1	44095	
2	40964	
3	13312	
4	15535	
5	27576	
6	26940	



Pos.	Vitronic	
	18W	36W
1	37551	40641
2	40965	40966
3	21763	21763
4	15748	15748
5	22206	22206
6	35877	35877
7	19491	19491
8	15445	15445





OASE North America INC. · [www.oase-livingwater.com](http://www.oase-livingwater.com)

46637/08-16